

M-BAR HF

ELECTROMECHANICAL ROAD BARRIER SYSTEM
FOR CONTROL OF HIGH FREQUENCY
ROAD ACCESS



M-BAR HF

SOLEMYO OPERA BLUEBUS 24V

Electromechanical road barrier system for control of road access characterized by continuous transit.

24 Vdc gear motor with built-in control unit and loop detector.

For bars up from 3.

Modular: bars are easily assembled using the aluminium expansion joint.

Possibility for intelligent control of two opposing automations thanks to **"master/slave" function**.

Strength and reliability: robust structure in steel, new high strength balancing springs guaranteed up to 1,000,000 opening and closing operations and elliptical section bar with high wind-gust resistance.

Optional flashing or traffic light can be integrated in cover.
Encoder movement control and electromechanical limit switches.
More comfort and safety in programming and maintenance phases: the separate enclosures for electronics and mechanics protect internal parts from potential risks.

Rapid and easy access to the control unit located in the upper section of the barrier body.

Simple fixture of the completely concealed photocells onto the specially designed seats on the barrier body.

More safety and reliability: obstacle detection and monitoring of motor absorption during automation movement.

Automatic fault diagnostics during operation with consequent signalling of fault type through specific flash sequences.

Provision for connection of latest generation optical and resistive sensitive edges (with 8.2 KOhm resistance).

Energy saving: the system sets to standby when not in use to save consumption.

No blackouts: emergency backup power with the optional batteries housed inside the case.

Release from side with metal key, can be installed on either side.



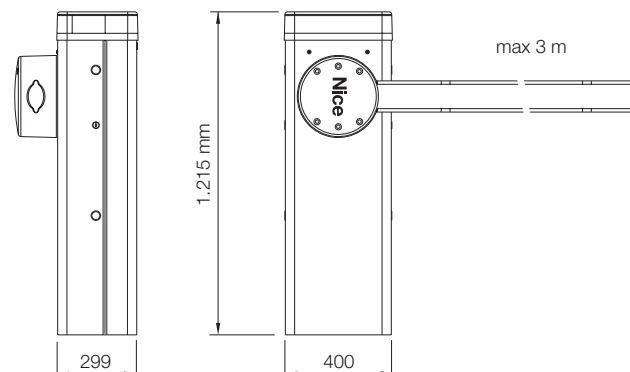
WITH BAR UP TO 3 m, IRREVERSIBLE 230 Vac, 24 Vdc MOTOR, WITH FOUNDATION PLATE:

CODE	DESCRIPTION
M3BAR	WITH STEEL CASE WITH PROTECTIVE CATAPHORESIS TREATMENT AND PAINT FINISH
M3BARI	WITH STAINLESS STEEL CASE

TECHNICAL SPECIFICATIONS

CODE	M3BARHF	M3BARIHF
ELECTRICAL DATA		
POWER SUPPLY (Vac 50/60 Hz)		230
POWER SUPPLY (Vdc)		24
ABSORPTION (A)		1,3
POWER (W)		150
PERFORMANCE DATA		
SPEED MIN.=MAX. (S)		1,5 ÷ 4
TORQUE (Nm)		100
WORK CYCLE (CYCLES/HOUR)		600
DIMENSIONAL AND GENERAL DATA		
PROTECTION LEVEL (IP)		54
WORKING TEMP. (°C MIN/MAX)		-20 ÷ +50
DIMENSIONS (mm)		400x299x1215 h
WEIGHT (kg)		80

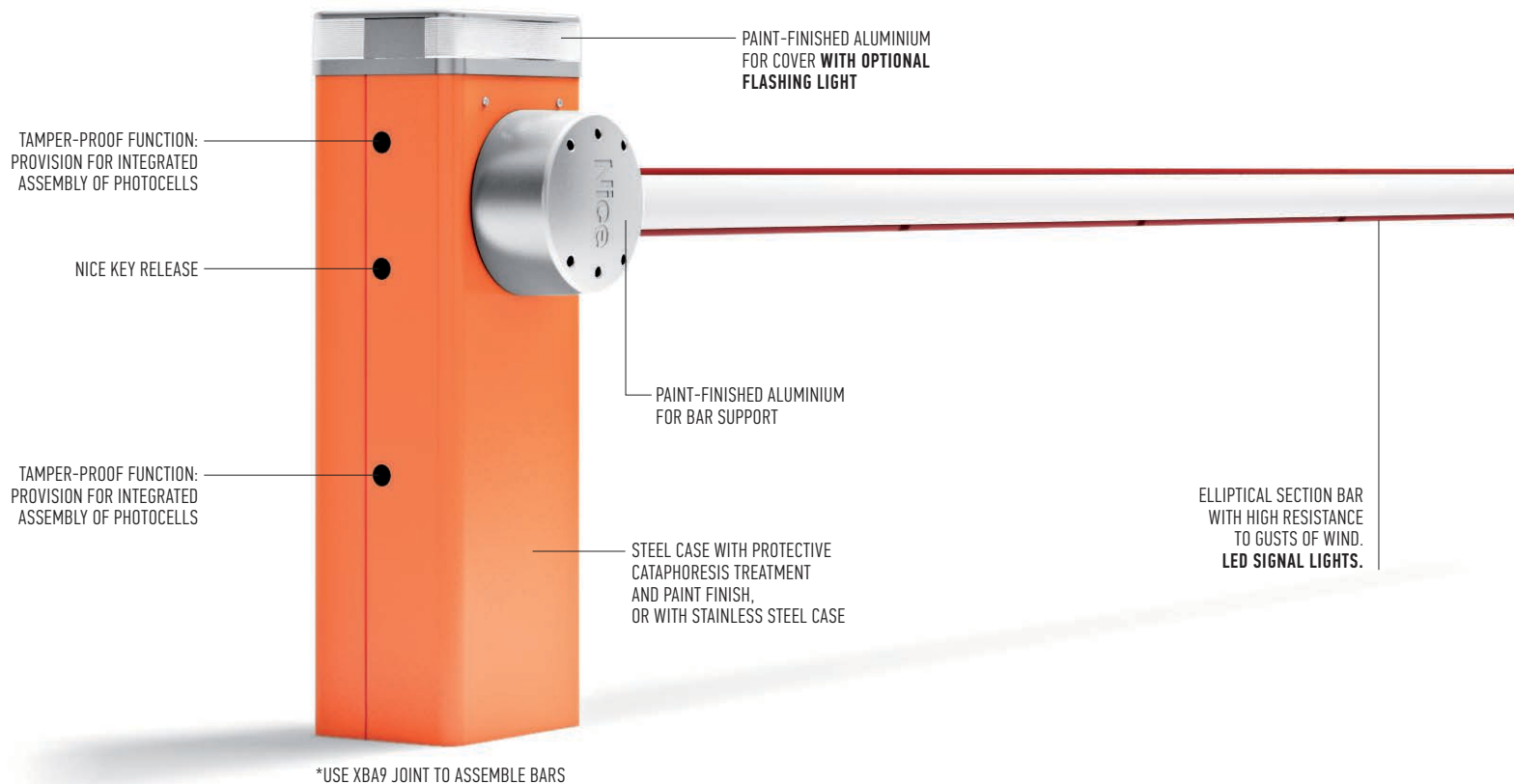
DIMENSIONS



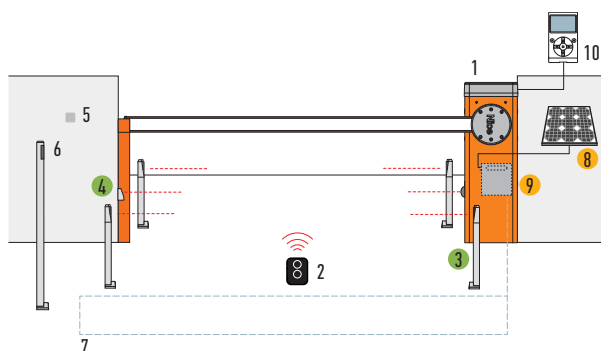
KIT SOLEMYO



- THE SOLAR POWER KIT SOLEMYO TO AUTOMATE GATES, GARAGE DOORS OR BARRIER GATES, INCLUDING THOSE LOCATED FAR FROM THE POWER MAINS AND WITHOUT THE NEED FOR COSTLY AND INVASIVE EXCAVATION WORK. SEE PAGE 171



INSTALLATION DIAGRAM



1. BARRIER
2. TRANSMITTER
3. PHOTOCELLS MOUNTED ON POSTS
4. PHOTOCELLS
5. DIGITAL OR KEY SWITCHES
6. KEY-OPERATED SELECTOR OR DIGITAL ON POST
7. LOOP DETECTOR
8. SYP SOLAR PANEL
9. PSY24 BATTERY BOX
10. 0-VIEW MULTIFUNCTION DISPLAY

- ACCESSORIES ALSO AVAILABLE FOR THE Solemyo Air Net System WIRELESS VERSION
- Solemyo SOLAR POWER ACCESSORIES

ACCESSORIES M-BAR



XBA3
SPARE CONTROL UNIT.
PC/PACK 1



PS224
24 Vdc BUFFER BATTER.
PC/PACK 1



XBA13
RUBBER IMPACT PROTECTION
STRIP. LENGTH 1 m.
PC/PACK 9



WA10
RED ADHESIVE
REFLECTOR STRIPS.
PC/PACK 24



XBA8
INTEGRABLE TRAFFIC LIGHT.
PC/PACK 1



XBA7
INTEGRABLE FLASHING LIGHT.
PC/PACK 1



XBA16
ANCHORAGE BASE WITH
CLAMPS, FOR MBAR.
PC/PACK 1



WA11
ADJUSTABLE STAND
FOR BARS.
PC/PACK 1



XBA15
WHITE PAINT-FINISHED
ALUMINIUM BAR
69x92x3150 mm.
PC/PACK 1



XBA4
INDICATOR LIGHTS FOR CLICK
FIXTURE ON UPPER OR LOWER
SIDE OF BAR. LENGTH 4 m.
PC/PACK 1



XBA10
PIVOTING CONNECTION
FOR BARS UP TO 4 m.
PC/PACK 1



XBA11
JOINT FOR BARS XBA15
(FROM 1950 mm
TO 2400 mm).
PC/PACK 1



Nice SpA
Oderzo TV Italia
Ph. +39.0422.85.38.38
info@niceforyou.com

Find out more about Nice
products and services on the website:
www.niceforyou.com



Nice cares for the environment.
Using natural paper it avoids excessive use
of raw materials and forest exploitation.
Waste is reduced, energy is saved
and climate quality is improved.