

<b>SN6021</b> 1 gear motor with built-in control unit and SMXI plug-in receiver.		<b>FLO2R-S</b> 1 transmitter 433.92 MHz, 2 channels.	
			
<b>SPIN20KCE</b> Guide (thickness 35 mm) in three 1-metre sections.	<b>SPIN21KCE</b> Guide (thickness 35 mm) in one 3-metre section.	<b>SPIN22KCE</b> Guide (thickness 35 mm) in one 3-metre section. + one 1-metre section.	
 <p>3 x 1 m</p>	 <p>1 x 3 m</p>	 <p>1 x 3 m 1 x 1 m</p>	

**For sectional doors up to 10.5 m<sup>2</sup> and up-and-over garage doors up to 11.8 m<sup>2</sup>.**

**Three versions in kit:**

- pre-mounted, **guide in three 1-metre sections** SPIN20KCE,
- **with pre-mounted guide of 3 m** SPIN21KCE **or pre-mounted**
- **guide of 4 m (3+1 m)** SPIN22KCE.

**Rapid installation - anywhere!**

The adjustable head, cord-type release and cable-controlled, step-by-step release can be fitted in any part of the garage in order to actuate the system without a remote control device and without the need to install wall-mounted control units!

**User-friendly thanks to the BlueBUS system:**

which enables connection by means of just two wires between the control unit and pair of photocells.

**Safe:** obstacle detection system and automatic programming of the working times; motor absorption is monitored during movement, self-diagnosis by means of a flashing light and courtesy light. Acceleration and deceleration can be adjusted at the beginning and end of each opening and closing manoeuvre. Can be connected with last generation sensitive edges 8.2 KOhm.

**Luminous:** 21 W lamp.

Code	Description	Pack/pallet
<b>SPIN20KCE</b>	Kit for automating sectional and up-and-over doors. Guide in three 1-metre sections	14
<b>SPIN21KCE</b>	Kit for automating sectional and up-and-over doors. Pre-mounted guide of 3 m	15
<b>SPIN22KCE</b>	Kit for automating sectional and up-and-over doors. Guide (thickness 35 mm) in one 3-metre section + one 1-metre section	15

**N.B.** The content of the package may vary: consult the retailer.

**Technical specifications**

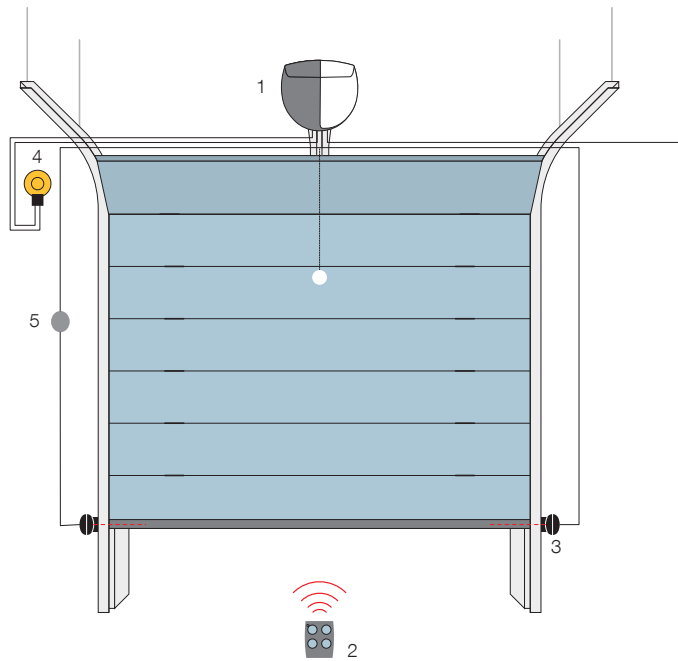
Code	SN6021
<b>Electrical data</b>	
Power supply (Vac 50/60 Hz)	230
Absorption (A)	0.8
Power (W)	250
<b>Performance data</b>	
Speed (m/s)	0.20
Force (N)	650
Work cycle (cycles/day)	50
<b>Dimensional and general data</b>	
Protection level (IP)	40
Working temp. (°C Min/Max)	-20 ÷ +50
Dimensions (mm)	311x327x105 h
Weight (kg)	3.6

**Utilisation limits**

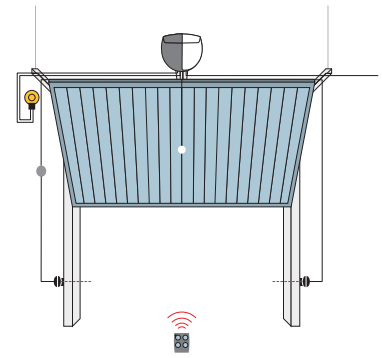
Using the maximum travel

	Non-projecting up-and-over door		Projecting up-and-over door		Sectional	
	H	L	H	L	H	L
<b>SPIN20KCE</b>	2.2 m	4.2 m	2.8 m	4.2 m	2.4 m	4.4 m
<b>SPIN21KCE</b>	2.2 m	4.2 m	2.8 m	4.2 m	2.4 m	4.4 m
<b>SPIN22KCE</b>	3.2 m	2.9 m	3.5 m	3.4 m	3.4 m	3.1 m

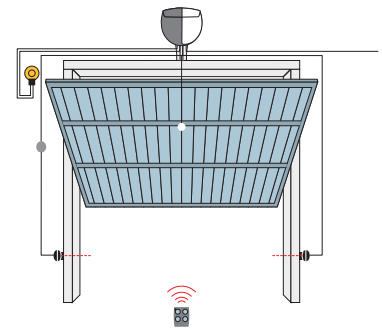
**Sectional**



**Non-projecting up-and-over door**



**Projecting up-and-over door**



1. Spinbus 2. Transmitter 3. Photocells 4. Flashing light 5. Digital or key switches.

**Accessories**



**SNA2**  
Spare control unit for SPIN20KCE, SPIN21KCE and SPIN22KCE.



**SPA2**  
Kit for unlocking from the outside with cable.  
Pc/pack 1



**SPA5**  
Oscillating arm sliding on bearings with optimised structure for projecting up-and-over doors.  
Pc/pack 1



**SPA6**  
Large 585 mm long connecting arm.  
Pc/pack 1



**SPA7**  
Kit of two additional fixing brackets.  
Pc/pack 2



**SNA16**  
Quick-connect brackets for ceiling mounting.  
Pc/pack 10



**TS**  
Signboard.  
Pc/pack 1

