


SN6021
1 gear motor with built-in control unit and SMXI plug-in receiver.



FLO2R-S
1 transmitter 433.92 MHz, 2 channels.



SNA30
Guide (thickness 35 mm) in one 3-metre section.



1 x 3 m

For sectional doors up to 10.5 m² and up-and-over garage doors up to 11.8 m².

With pre-mounted 3-metre guide.

Rapid installation - anywhere!

The adjustable head, cord-type release and cable-controlled, step-by-step release can be fitted in any part of the garage in order to actuate the system without a remote control device and without the need to install wall-mounted control units!

Guaranteed savings and respect for the environment:

with connection to the mains in standby mode the control unit with radio connected consumes just 5.2 W; when connected to a battery or to the Solemyo kit, consumption on standby is reduced to 0.036 W.

Safe: obstacle detection system and automatic programming of the working times; motor absorption is monitored during movement, self-diagnosis by means of a flashing light and courtesy light. Acceleration and deceleration can be adjusted at the beginning and end of each opening and closing manoeuvre. Can be connected with last generation sensitive edges 8.2 KOhm.

Luminous: 21 W lamp.

No black out: operation in the event of a power failure with optional batteries (PS124) housed inside the motor.

Code	Description	Pack/pallet
SPIN23KCE	Kit for automating sectional and up-and-over doors. Pre-mounted guide in one 3-metre section	15

N.B. The content of the package may vary: consult the retailer.



Technical specifications

Code	SN6021
Electrical data	
Power supply (Vac 50/60 Hz)	230
Absorption (A)	0.8
Power (W)	250
Performance data	
Speed (m/s)	0.20
Force (N)	650
Work cycle (cycles/day)	50
Dimensional and general data	
Protection level (IP)	40
Working temp. (°C Min/Max)	-20 ÷ +50
Dimensions (mm)	311x327x105 h
Weight (kg)	3.6

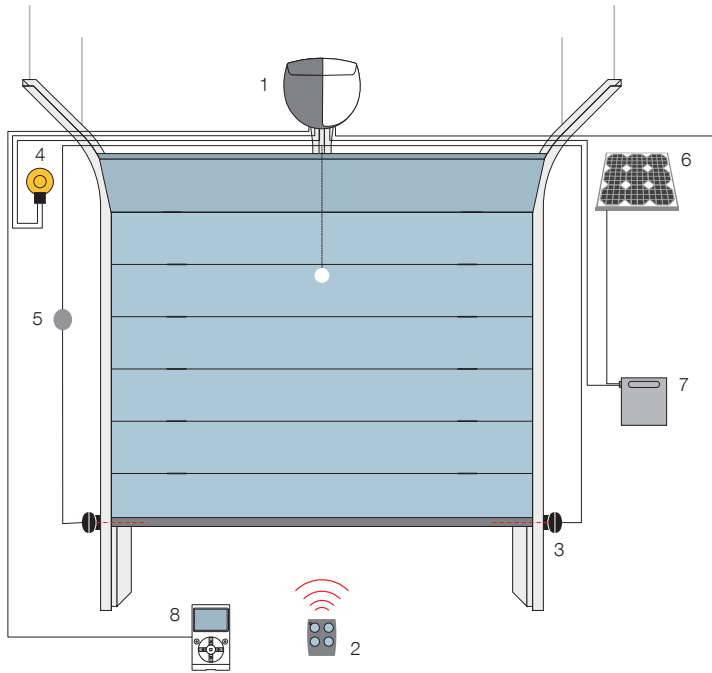
Utilisation limits

Using the maximum travel

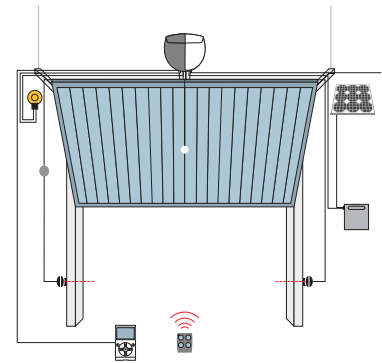
	Non-projecting up-and-over door		Projecting up-and-over door		Sectional	
	H	L	H	L	H	L
SPIN23KCE	2.2 m	4.2 m	2.8 m	4.2 m	2.4 m	4.4 m

Nice recommends customers order products in pallets in order to facilitate storage and delivery, and ensure packs are uniform. The number of packs per single pallet has been specified for this reason. Approximate draft.

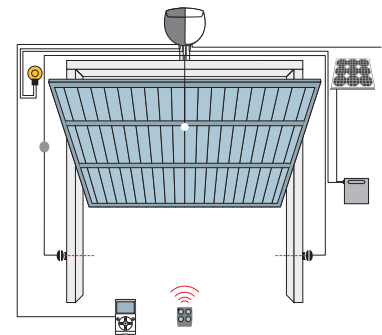
Sectional



Non-projecting up-and-over door



Projecting up-and-over door



1. Spinbus 2. Transmitter 3. Photocells 4. Flashing light 5. Digital or key switches
6. SYP* solar panel 7. PSY24* battery box 8. O-View* multifunction display.
*Optional connection to Solemyo and Opera systems.

Accessories



SNA20
Spare control unit for SPIN23KCE.



PS124
24 V battery with integrated battery charger.
Pc/pack 1



SPA2
Kit for unlocking from the outside with cable.
Pc/pack 1



SPA5
Oscillating arm sliding on bearings with optimised structure for projecting up-and-over doors.
Pc/pack 1



SPA6
Large 585 mm long connecting arm.
Pc/pack 1



SPA7
Kit of two additional fixing brackets.
Pc/pack 2



SNA16
Quick-connect brackets for ceiling mounting.
Pc/pack 10



TMF
Pair of photocells for optical type sensitive edge.
Pc/pack 1



TS
Signboard.
Pc/pack 1

Solemyo system



The solar power kit Solemyo to automate gates, garage doors or barrier gates, including those located far from the power mains and without the need for costly and invasive excavation work.
See pages 186/187

Opera system



The innovative Opera system enables the installer to manage, program and control automation systems, also remotely, simply and safely, with significant savings in time.
See pages 140/141