

**For private, public and industrial car parks.**

Electromechanical barrier gate, 24 Vdc, with adjustable speed and anti-crushing safety feature. Intensive use.

**Four versions:**  
**up to 4 m (WIL4, WIL4I),**  
**up to 6 m (WIL6, WIL6I).**

**Galvanised steel, painted case or AISI 304 (WIL4I, WIL6I).**

**Incorporated control unit,** can be removed, making wiring and maintenance easier.

**Easy to install:** the bar can be assembled on either the right or left hand side indifferently.

**Easy to balance:** linear adjustment of the spring.

**The system will operate during a blackout** by means of internally fitted, rechargeable batteries.

The limit switches for slowdown during both opening and closing can be adjusted both mechanically and electronically.

**Speed can be electronically adjusted:** WIL4, 3.5 second minimum opening time; WIL6, 5 second opening time.

**Anti-crush safety feature** on opening and closing.

**Painted aluminium bar profile:** easy to assemble the signalling lights and pneumatic edge.

**Led signalling lights:** highly efficient and long-lasting.

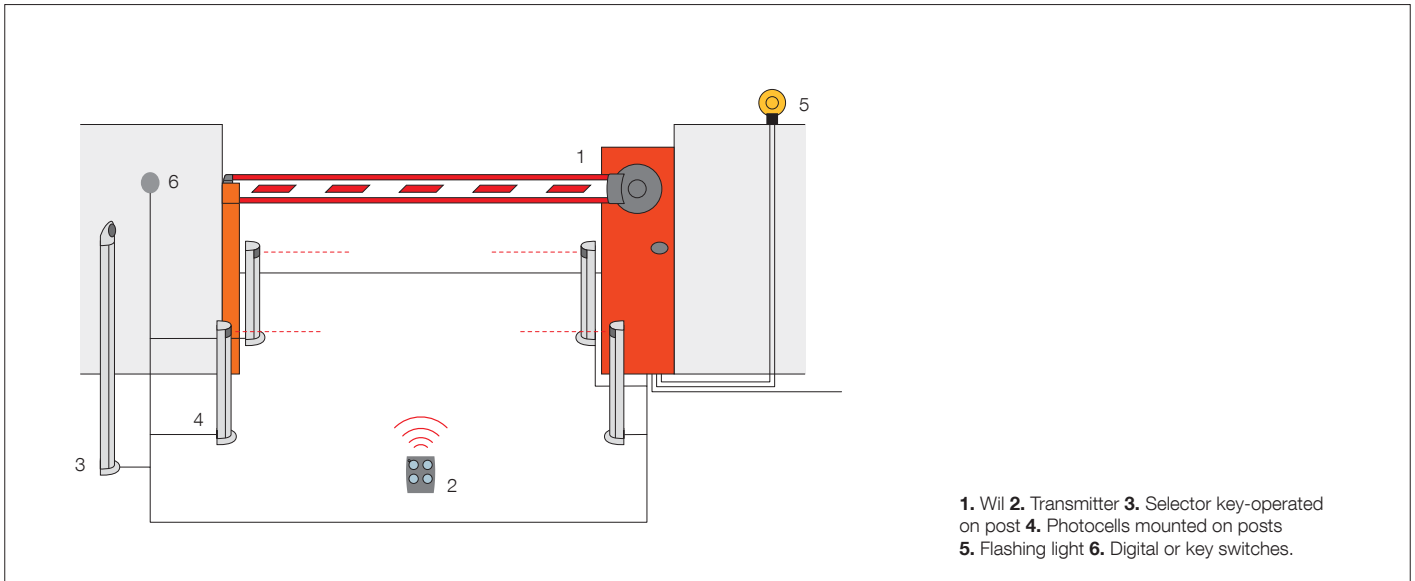
**Protected simple key-operated release.**

Irreversible 230 Vac, 24 Vdc motor, with anchorage base included:

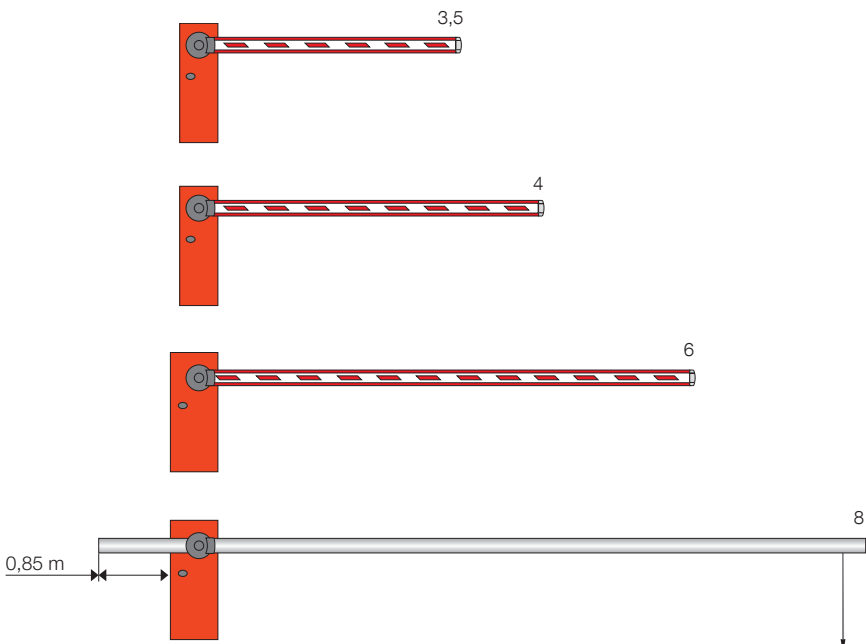
Code	Description
<b>WIL4</b>	For bars up to 4 m, with galvanised steel painted case
<b>WIL4I</b>	For bars up to 4 m, with satin stainless steel case
<b>WIL6</b>	For bars up to 6 m, with galvanised steel painted case
<b>WIL6I</b>	For bars up to 6 m, with satin stainless steel case

**Technical specifications**

Code	WIL4 - WIL4I	WIL6 - WIL6I
<b>Electrical data</b>		
Power supply (Vac 50/60 Hz)	230	
Absorption (A)	1.1	0.6
Power (W)	300	360
<b>Performance data</b>		
Minimum opening time (s)	3.5	5
Torque (Nm)	140	200
Work cycle (%)	80	
<b>Dimensional and general data</b>		
Protection level (IP)	54	
Working temp. (°C Min/Max)	-20 ÷ +50	
Dimensions (mm)	320x220x1000 h	420x220x1050 h
Weight (kg)	46	54



### Utilisation limits



**WIL4 / WIL4I up to 3.5 m**  
fully accessoried bar  
without speed limit.

**WIL4 / WIL4I up to 4 m**  
fully accessoried bar with speed limit  
and a WA13 rack max lenght of 2 m  
**or**  
4 m rack lenght without shockproof  
rubber strip WA2.

**WIL6 / WIL6I up to 6 m**  
fully accessoried bar with speed limit  
and a WA13 rack max lenght of 4 m  
**or**  
WA13 rack lenght 6 m,  
without shockproof rubber strip WA2.

**WIL6 / WIL6I up to 8 m**  
with WA24 (bar without accessories),  
with no limits to speed.

### Bar lenght (m)

Tubular aluminium bars don't need the use of accessories (only WA11).

# Nice Accessories Wil

## Accessories for WIL4 / WIL4I



**WA1**  
Aluminium bar, painted white 36x73x4250 mm.  
Pc/pack 1



**WA25**  
Pivoting connection for rettangular bars up to 4 m.  
Pc/pack 1



**WA2**  
8 m pack of red shockproof rubber strip with caps to close WA1 bar.  
Pc/pack 1



**WA14**  
Joint for rods WA1 (from 1950 mm to 2400 mm).  
Pc/pack 1



**WA3**  
Tubular aluminium bar, painted white Ø 70x4250 mm, suitable where there are strong winds only with WA11.  
Pc/pack 1



**WA4**  
Connection for the WA3 bar.  
Pc/pack 1



**WA15**  
Anchorage base with clamps.  
Pc/pack 1

## Accessories for WIL6 / WIL6I



**WA21**  
Aluminium bar, painted white 36x94x6250 mm.  
Pc/pack 1



**WA22**  
Modular bar, plus joint painted white, 2 sections 36x94x3125 mm.  
Pc/pack 2



**WA6**  
Pack 12 m of red, shockproof, rubber strip with caps to close the bars WA21, WA22.  
Pc/pack 1



**WA24**  
Tubular telescopic bar in white painted aluminium, max. length 8 m, complete with mobile support WA12, counterweight and connector. 6 m overall length for transportation. See draft page 107.  
Pc/pack 1



**WA7**  
Tubular aluminium bar, painted white Ø 90x6250 mm suitable where there are strong winds, only with WA11.  
Pc/pack 1



**WA8**  
Connection for the WA7 bar.  
Pc/pack 1



**WA16**  
Anchorage base with clamps.  
Pc/pack 1

## Common accessories



**WA20**  
Spare control unit.



**CARICA**  
Plug-in card  
for battery charger.  
Pc/pack 1



**B12-B**  
12 V, 6 Ah batteries.  
Pc/pack 1



**WA9**  
Pack of flashing signals,  
wired for WA1, WA21,  
WA22 bars.  
Pc/pack 6



**WA10**  
Red adhesive  
reflector strips.  
Pc/pack 24



**WA13**  
Aluminium rack (2 m)  
for WA1, WA21, WA22  
bars.  
Pc/pack 1



**WA11**  
Adjustable stand  
for bars.  
Pc/pack 1



**WA12**  
Mobile stand for bars  
- *New fully reinforced  
version.*  
Pc/pack 1



**PO**  
Support bracket  
for photocells Bf, FE.  
Pc/pack 4