



Control unit for 24 Vdc gear motors with magnetic encoder, for swing gates.

Equipped with Nice **BlueBUS** technology and compatible with the **Solemyo** solar power system and **Opera** system for management, programming and diagnostics of automations, also remotely.

Compatible with the Opera system, which thanks to the O-View multi-function display enables personalisation of the system, modifying the opening and closing positions, leaf offset and deceleration intervals, and diversifying parameters such as force, speed, and obstacle detection for each motor.

Microprocessor logic: in addition to the classic functions such as intelligent clutch with anti-crushing safety device, gradual start-up and deceleration, automatic memorisation of both travel limit positions and the pedestrian door function, Moonclever also offers the advantages of the Opera system.

Safe and reliable thanks to obstacle detection with dual technology and monitoring of motor absorption and speed via the encoder, throughout door/gate travel, with provision for connection of latest generation resistive sensitive edges.

Intelligent: on start-up, indicator to confirm correct power supply and efficient operation of the control unit; automatic fault diagnostics and signalling via the flashing light and confirmation leds.

Savings, respect for the environment, and autonomy: when connected to the buffer battery or Solemyo kit, consumption on standby is reduced to just 0.1 W.

Installation couldn't be simpler, thanks to the system BlueBUS, enabling connection of the control unit, motors and accessories by means of just two wires.

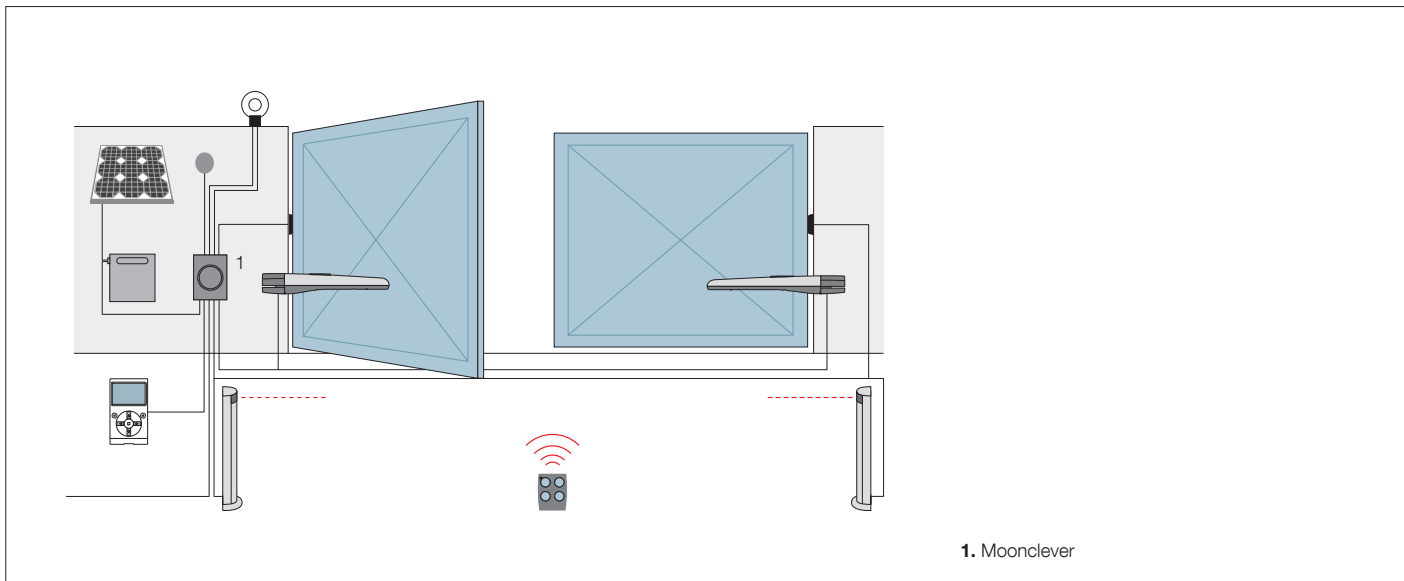
No black out: operation in the event of a power failure by means of optional batteries (PS124) with compartment in control unit.

Radio receiver: provision for insertion of SM snap-fit receivers.

Code	Description	Pc/Pack
MC824H	Control unit for one or two motors at 24 Vdc with encoder, with BlueBUS technology, compatible for Opera and Solemyo systems	1

Technical specifications

Code	MC824H
Power supply (Vac 50/60Hz)	230 ± 10%
Battery power (Vdc)	21 ÷ 28
Maximum motor power (VA; A)	360 (W); 15
Maximum accessories power 24 V (A)	0.2
Maximum flashing light power (V;W)	12; 21
Maximum gate open indicator power CA (V; W)	24; 2
Maximum electric lock power (Vac; VA)	12; 15
Working time "TL" (s)	-
Pause time "TP" (s)	1 ÷ 250
Opening delay time TRA (s)	Programmable
Closing delay time TRC (s)	Programmable
Courtesy light time "TCor" (s)	0:250
Pre-flashing time "TPre" (s)	0:10
Force adjustment (%)	-
Anti-crushing device (sensitivity)	Mini ÷ Max
Case dimensions (mm)	230x125x300 h



Accessories



MCA1
Spare control unit
for MC824H.
Pc/pack 1



PS324
24 V battery
with integrated
battery charger.
Pc/pack 1



Solemyo system



The solar power kit Solemyo to automate gates, garage doors or barrier gates, including those located far from the power mains and without the need for costly and invasive excavation work. See pages 186/187

Opera system



The innovative Opera system enables the installer to manage, program and control automation systems, also remotely, simply and safely, with significant savings in time. See pages 140/141



Control unit for 24 Vdc gear motors for swing gates, without encoder: Wingo4024, Wingo5024 and X-Metro2020.

Compatible with the solar power kit **Solemyo**.

Safe and reliable thanks to obstacle detection throughout travel and provision for the connection of latest generation resistive sensitive edges.

Intelligent: automatic fault diagnostics and signals via flashing light and confirmation leds.

Savings, respect for the environment, ad autonomy: connected to the buffer battery or Solemyo kit, consumption on standby is just 0.1 W.

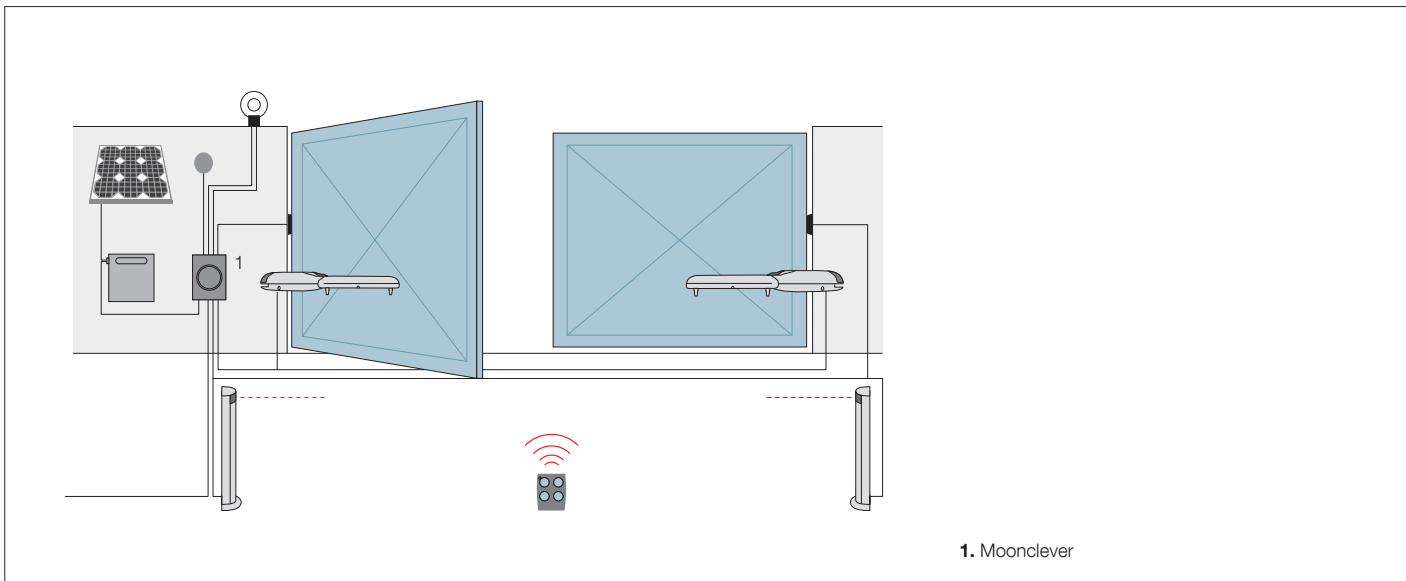
No black out: operation in the event of a power failure by means of optional batteries (PS124) with compartment in control unit.

Radio receiver: provision for insertion of SM snap-fit receivers.

Code	Description	Pc/Pack
MC424L	Control unit for one or two motors at 24 Vdc without encoder, compatible for Solemyo system	1

Technical specifications

Code	MC424L
Power supply (Vac 50/60Hz)	230 ± 10%
Battery power (Vdc)	21 ÷ 28
Maximum motor power (VA; A)	75; 3
Maximum accessories power 24 V (A)	0.2 +0.1
Maximum flashing light power (V;W)	24; 25
Maximum gate open indicator power CA (V; W)	24; 2
Maximum electric lock power (Vac; VA)	12; 15
Working time "TL" (s)	-
Pause time "TP" (s)	5 ÷ 80
Opening delay time TRA (s)	5 ÷ 40% TL
Closing delay time TRC (s)	-
Courtesy light time "TCor" (s)	-
Pre-flashing time "TPre" (s)	3
Force adjustment (%)	-
Anti-crushing device (sensitivity)	1 ÷ 6
Case dimensions (mm)	230x125x300 h



1. Moonclever

Accessories



MCA2
Spare control unit
for MC424L.
Pc/pack 1



PS124
24 V battery
with integrated
battery charger.
Pc/pack 1



Solemyo system



The solar power kit Solemyo to automate gates, garage doors or barrier gates, including those located far from the power mains and without the need for costly and invasive excavation work. See pages 186/187