

TNKCE / TNLKCE



FLO2R-S



TS



The kit contains:

TNKCE / TNLKCE 1 irreversible electromechanical gear motor, with incorporated control unit and plug-in receiver, courtesy light and electromechanical limit switch, complete with a pair of standard telescopic arms TNA5 and with relative driving devices TNA38. **FLO2R-S** 1 transmitter 433.92 MHz 2 channels. **TS** 1 signboard.

For projecting and non projecting up-and-over doors up to 9 m² and jointed doors.

Irreversible electromechanical 24 Vdc gear motor.

Two versions:

- standard with torque at 280 Nm (TNKCE)
- upgraded with torque at 420 Nm (TNLKCE).

Functions: standard input for photocells and possibility of connecting phototest function in self-learning mode during installation.

Convenient: built-in radio board compatible with the systems NiceWay, Flor, VeryVR, Flo, VeryVE and Smilo: possibility of entering up to 150 transmitters. Push-button programming and automatic position search.

Adjustments: 3 force levels, 2 speeds, 3 pause time levels, 3 step-by-step modes.

Maximum safety: provision for connection of latest generation 8.2 KOhm sensitive edges. Obstacle detection and automatic programming of work times, monitoring of motor absorption throughout travel, self-diagnostics via the flashing light and courtesy light. Acceleration and deceleration at the start and end of each manoeuvre.

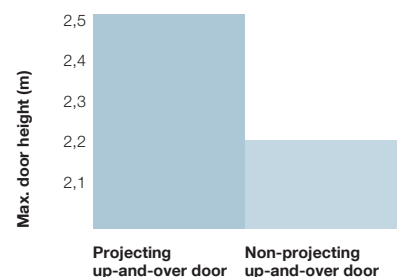
Code	Description	Pack/pallet
TNKCE	Irreversible, 24 Vdc, with incorporated control unit and receiver, courtesy light and mechanical limit switch	15
TNLKCE	Irreversible, 24 Vdc, with incorporated control unit and receiver, courtesy light and mechanical limit switch. Upgraded version	15

N.B. The content of the package may vary: consult the retailer.

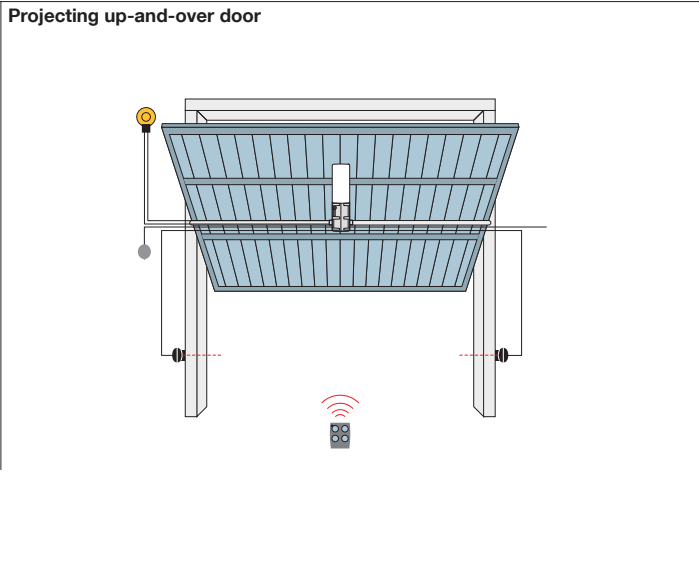
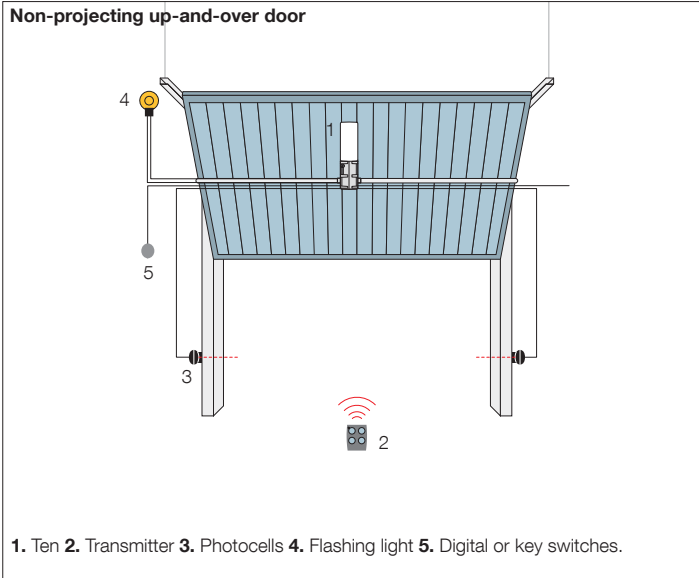
Technical specifications

Code	TNKCE	TNLKCE
Electrical data		
Power supply (Vac 50/60 Hz)	230	
Absorption (A)	0.9	
Power (W)	200	
Performance data		
Speed (Rpm)	1.7	1.4
Torque (Nm)	280	420
Work cycle (cycles/hour)	15	
Dimensional and general data		
Protection level (IP)	44	
Working temp. (°C Min/Max)	-20 ÷ +50	
Dimensions (mm)	150x158x512 h	
Weight (kg)	15.5	

Utilisation limits



N.B. The values indicated above refer to the use of motors with standard accessories.



1. Ten 2. Transmitter 3. Photocells 4. Flashing light 5. Digital or key switches.

Accessories

- | | | | | | |
|----------------------------------------------------------------------|-------------------------------------------------------------------|----------------------------------------------------------------------|---------------------------------------------------------------------------------|----------------------------------------------------------------------------------------------------------------------------|----------------------------------------------------------------------|
| | | | | | |
| TNA1
Spare control unit for TNKCE and TNLKCE.
Pc/pack 1 | OTA2
Motor support bracket (1250 mm long).
Pc/pack 1 | OTA3
Motor support bracket (2000 mm long).
Pc/pack 1 | OTA9
Motor support bracket (520 mm long).
Pc/pack 1 | TNA5
Pair of standard straight telescopic arms.
Pc/pack 1 | TNA6
Pair of standard curved telescopic arms.
Pc/pack 1 |
| | | | | | |
| TNA8
20x20 mm drive shaft (200 mm long).
Pc/pack 1 | TNA4
20x20 mm drive shaft (1500 mm long).
Pc/pack 1 | TNA38
Driving device for transmission shafts.
Pc/pack 1 | OTA11
Kit for unlock from the outside with a metal cord.
Pc/pack 1 | OTA12
Kit for external unlocking with key ratchet (cannot be used with laterally installed motors).
Pc/pack 1 | TS
Signboard.
Pc/pack 1 |

