



For swing gates with leaves up to 5 m, underground installation.

Irreversible electromechanical gear motor, 24 Vdc with magnetic encoder and mechanical stop.

Chamfered foundation boxes

with mechanical stop on opening:

- in stainless steel (BMBOXI), ideal for use in extreme conditions,
- with cataphoresis paint finish (BMBOX), highly resistant to corrosion.

Maximum freedom of choice: release from inside or outside, two key or lever operated models, freely combinable and easy to operate with just one hand.

Simple to use: mechanical stop system on closure. Standard opening to 110°, or optional 360°.

Ideal for intensive use, compatible with the control unit Moonclever MC824H:

- simple programming via a single key;
- self-learning of travel limits on opening and closing;
- self-diagnostics of faults;
- programming of pause time;
- pass door;
- deceleration on opening and closing;
- dual technology obstacle detection;
- operation in the event of a power failure with optional rechargeable batteries (PS324);
- provision for connection of latest generation sensitive edges.

Code	Description	Pack/pallet
BM5024	Irreversible, 24 Vdc, with magnetic encoder, with mechanical stop on closing	18
BMBOX	Foundation box, with cataphoresis paint finish, with built-in mechanical stop on opening	18
BMBOXI	Stainless steel foundation box, with built-in mechanical stop on opening	18

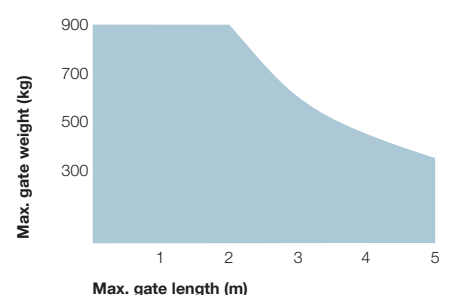
Note: key release mechanism, freely compatible with selection of models MEA2 and MEA3 motor.

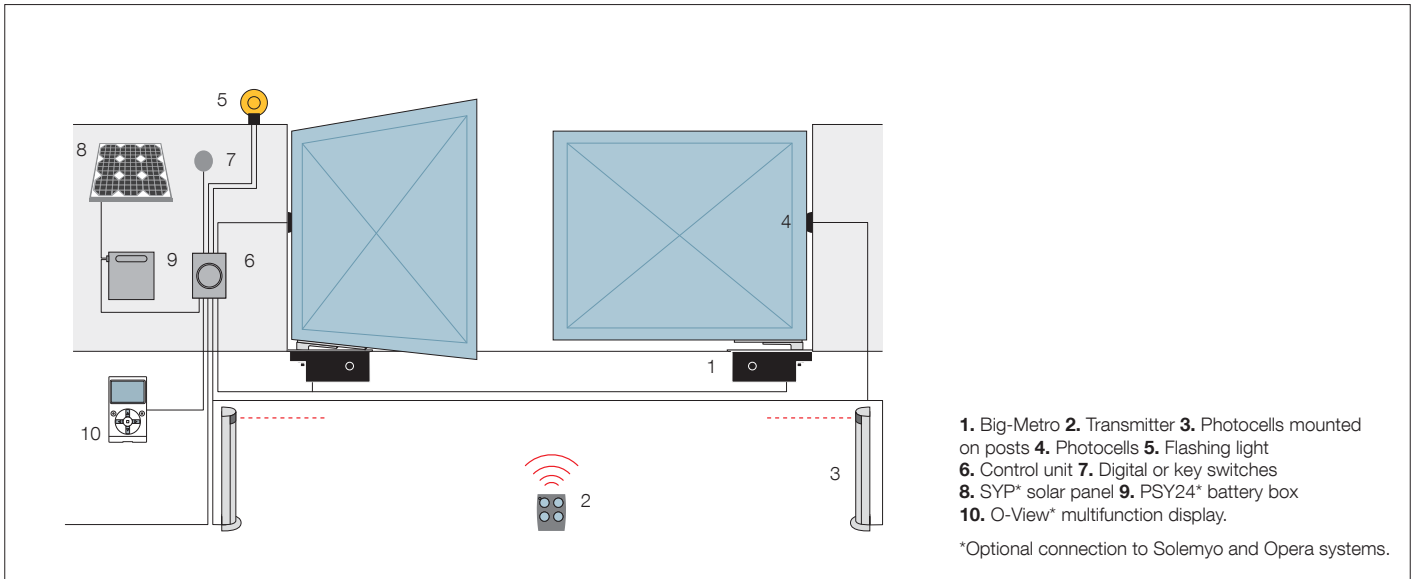
Technical specifications

Code	BM5024
Electrical data	
Power supply (Vdc)	24
Absorption (A)	7
Power (W)	170
Performance data	
Speed (Rpm)	0.8
Torque (Nm)	400
Work cycle (cycles/hour)	45
Dimensional and general data	
Protection level (IP)	67
Working temp. (°C Min/Max)	-20 ÷ +50
Dimensions (mm)*	400x325x150 h
Weight (kg)	12

*With foundation box

Utilisation limits





Accessories

<p>ME A2 Key unlock system. Pc/pack 1</p>	<p>ME A3 Lever-type key unlock system to use when system is installed on surfaces such as sand or earth. Pc/pack 1</p>	<p>ME A5 Lever-type unlock key for ME A3. Pc/pack 4</p>	<p>BMA1 Accessory for opening up to 360° for gates max. 3.5 m in length. Pc/pack 1</p>	<p>PLA10 Vertical 12 V electric lock (required for gates longer than 3 m). Pc/pack 1</p>	<p>PLA11 Horizontal 12 V electric lock (required for gates longer than 3 m). Pc/pack 1</p>

Accessory

For 24 Vdc version



TS
Signboard.
Pc/pack 1



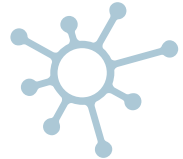
PS324
24 V battery with integrated battery charger.
Pc/pack 1

Solemyo system



The solar power kit Solemyo to automate gates, garage doors or barrier gates, including those located far from the power mains and without the need for costly and invasive excavation work.
See pages 186/187

Opera system



The innovative Opera system enables the installer to manage, program and control automation systems, also remotely, simply and safely, with significant savings in time.
See pages 140/141

Nice recommends customers order products in pallets in order to facilitate storage and delivery, and ensure packs are uniform. The number of packs per single pallet has been specified for this reason. Approximate draft.